

NOTES
 GENERALLY TO THE REQUIREMENTS OF MIL-DTL-38999
 MATES WITH AMPHENOL USBFTV AND USB3FTV

MATERIALS
 USB 3.0 A INSERT
 CONTACT AREA 0,76µm Au OVER 1,27-2,54 µm Ni
 SHIELDING - TIN PLATED BRASS
 BODY - LCP, UL94V-0

PCB - FR4, UL94V-0
 SEAL - SILICONE ELASTOMER
 INSULATOR - PPS GL40 UL94
 POTTING - RTV3140 UL94V-0

PERFORMANCE
 CURRENT RATING - PINS 1 AND 4 - 1.8 AMP MAX
 - OTHER PINS - 0.25A MAX
 DATA RATE - UP TO 5Gbit/s FOR SUPERSPEED USB
 VOLTAGE RATING 30V AC
 TEMPERATURE -20°C TO +85°C
 5000 MATING CYCLES MAX (USB 3.0 CONNECTOR ONLY)

SHELL - MATING CYCLES 500 MAX
 SEALED TO IP68 WHEN MATED

PC4B0100-15NX-1-C

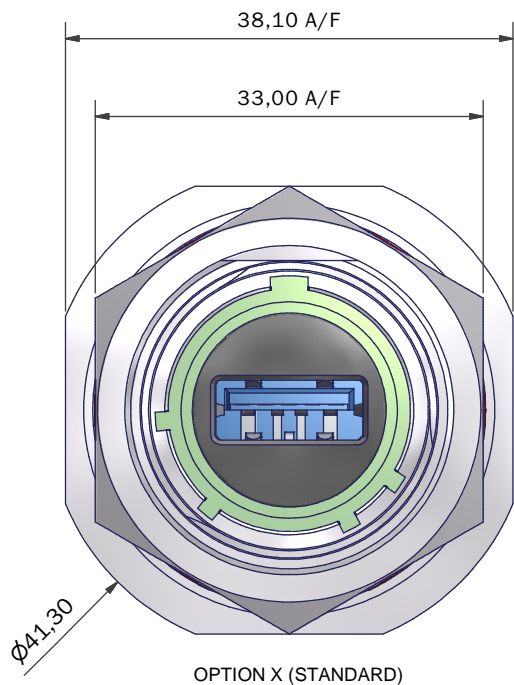
SERIES
 SHELL SIZE
 KEY ARRANGEMENT (N, A, B, C, D, E)
 INSERT ROTATION (X = 0°, Y = 90°, Z = 270°)
 MATERIAL AND PLATING (SEE TABLE)

CODE	MATERIAL / FINISH
1-C	ALUMINIUM / ELECTROLESS NICKEL
1-B	ALUMINIUM / CADMIUM OLIVE DRAB OVER ELECTROLESS NICKEL
1-ZB	ALUMINIUM / ZINC COBALT OLIVE DRAB OVER ELECTROLESS NICKEL
1-ZK	ALUMINIUM / ZINC COBALT BLACK OVER ELECTROLESS NICKEL
1-ZN	ALUMINIUM / ZINC NICKEL BLACK PASSIVATE OVER ELECTROLESS NICKEL
4-J	STAINLESS STEEL / PASSIVATE
2-Z	NICKEL ALUMINIUM BRONZE / SHOT BLAST

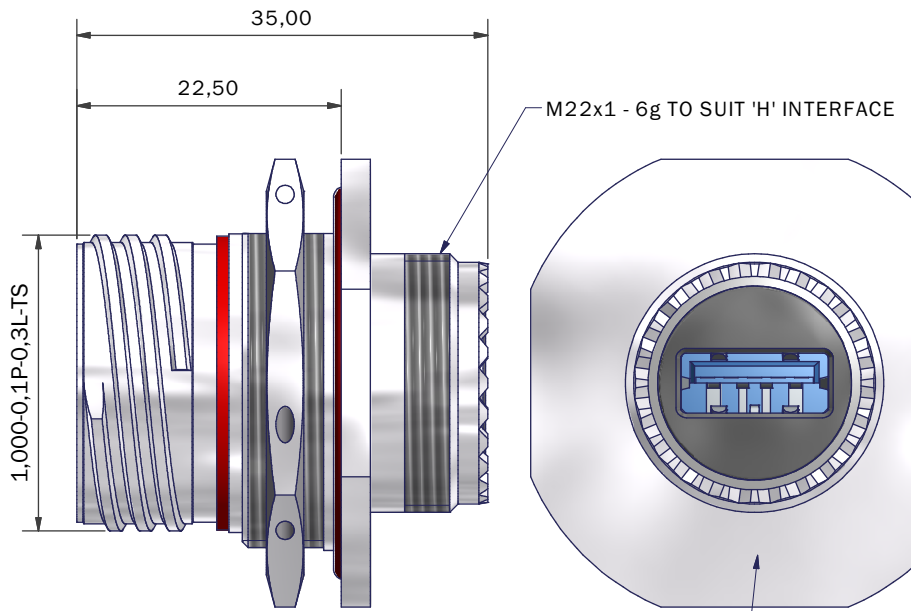
CUSTOMER APPROVAL			
COMPANY	NAME	SIGNATURE	DATE

ORDERS CANNOT BE PLACED AGAINST ALPHA ISSUED DRAWINGS.
 ON RECEIPT OF CUSTOMER APPROVAL, THE DRAWING STATUS WILL BE RAISED TO ISSUE 1. LIST NOT EXHAUSTIVE, FOR COMPREHENSIVE LIST AND SPECS, SEE WEBSITE

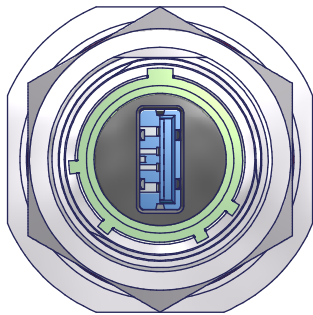
DRAWN R.S.	DATE 28/05/2015		PART NUMBER:		
SALES APPR J.C.	DATE 28/05/2015				
DESIGN APPR M.PAUL	UNLESS OTHERWISE SPECIFIED ALL DIMENSIONS IN MILLIMETRES GENERAL TOL LINEAR +/-0.25MM ANGULAR +/- 1°		TITLE: USB 3.0 A FEEDTHROUGH RECEPTACLE		
PROD APPR					
QUAL APPR	MATERIAL SEE PART NUMBER BREAKDOWN		ASSY USED ON: USB 3.0 D38999/20	DRAWING NO.: C6121	
ISSUE B					REV. DCR
NCAGE CODE U5792	WEIGHT	FINISH SEE PART NUMBER BREAKDOWN	THIS DRAWING IS COPYRIGHT AND THE PROPERTY OF POLAMCO LTD IT MUST NOT BE COPIED, USED FOR MANUFACTURE OR OTHERWISE DISCLOSED WITHOUT PRIOR WRITTEN CONSENT OF THE COMPANY.	POLAMCO LTD, WESTON LOCK, LOWER BRISTOL ROAD BATH BA2 1EP	SHT 1



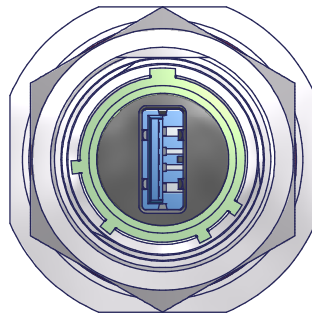
OPTION X (STANDARD)



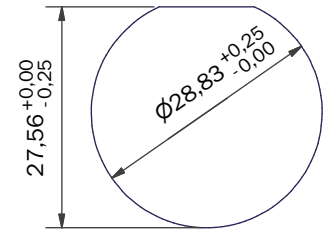
LASER PART/BATCH MARK HERE



OPTION Y



OPTION Z



RECOMMENDED PANEL CUT OUT

NOTES
GENERALLY TO THE REQUIREMENTS OF MIL-DTL-38999
MATES WITH AMPHENOL USBFTV AND USB3FTV

MATERIALS
USB 3.0 A INSERT
CONTACT AREA 0.76µm Au OVER 1.27-2.54 µm Ni
SHIELDING - TIN PLATED BRASS
BODY - LCP, UL94V-0

PCB - FR4, UL94V-0
SEAL - SILICONE ELASTOMER
INSULATOR - PPS GL40 UL94
POTTING - RTV3140 UL94V-0

PERFORMANCE
CURRENT RATING - PINS 1 AND 4 - 1.8 AMP MAX
- OTHER PINS - 0.25A MAX
DATA RATE - UP TO 5Gbit/s FOR SUPERSPEED USB
VOLTAGE RATING 30V AC
TEMPERATURE -20°C TO +85°C
5000 MATING CYCLES MAX (USB 3.0 CONNECTOR ONLY)

SHELL - MATING CYCLES 500 MAX
SEALED TO IP68 WHEN MATED

PC4F0086-15NX-1-C

SERIES
SHELL SIZE
KEY ARRANGEMENT (N, A, B, C, D, E)
INSERT ROTATION (X = 0°, Y = 90°, Z = 270°)
MATERIAL AND PLATING (SEE TABLE)

CODE	MATERIAL / FINISH
1-C	ALUMINIUM / ELECTROLESS NICKEL
1-B	ALUMINIUM / CADMIUM OLIVE DRAB OVER ELECTROLESS NICKEL
1-ZB	ALUMINIUM / ZINC COBALT OLIVE DRAB OVER ELECTROLESS NICKEL
1-ZK	ALUMINIUM / ZINC COBALT BLACK OVER ELECTROLESS NICKEL
1-ZN	ALUMINIUM / ZINC NICKEL BLACK PASSIVATE OVER ELECTROLESS NICKEL
4-J	STAINLESS STEEL / PASSIVATE
2-Z	NICKEL ALUMINIUM BRONZE / SHOT BLAST

LIST NOT EXHAUSTIVE, FOR COMPREHENSIVE LIST AND SPECS, SEE WEBSITE

DRAWN	R.S.	DATE	<p>3RD ANGLE PROJECTION NOT TO SCALE</p>
SALES APPR	J.C.	27/05/2015	
DESIGN APPR	M.PAUL	28/05/2015	
PROD APPR	K.S.	28/05/2015	
QUAL APPR	P.REES	28/05/2015	
ISSUE	REV.	DCR	
1			
NCAGE CODE	U5792	WEIGHT	
			<p>MATERIAL SEE PART NUMBER BREAKDOWN</p> <p>FINISH SEE PART NUMBER BREAKDOWN</p>

PART NUMBER:		PC4F0086-15NX-x-x	
TITLE:			
USB 3.0 A FEEDTHROUGH JAM NUT RECEPTACLE			
ASSY USED ON: USB 3.0 D38999/24			
THIS DRAWING IS COPYRIGHT AND THE PROPERTY OF POLAMCO LTD IT MUST NOT BE COPIED, USED FOR MANUFACTURE OR OTHERWISE DISCLOSED WITHOUT PRIOR WRITTEN CONSENT OF THE COMPANY.		POLAMCO LTD, WESTON LOCK, LOWER BRISTOL ROAD BATH BA2 1EP	SHT 1
DRAWING NO: C6200			

